

Functional Cam Lock for Triple Users - Applied for Multi-Functions -

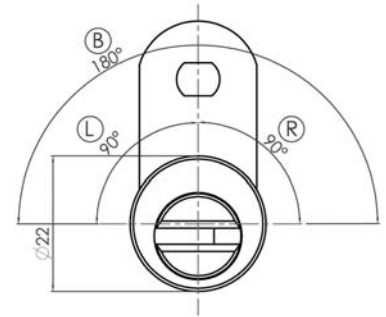


F16 Lock' **Functional Cam Lock** offers for three different users to operate your multi-functional device.

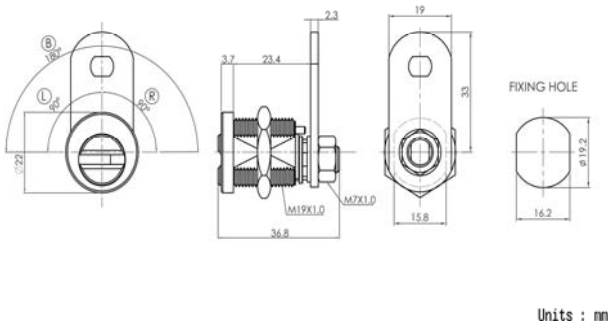
It is a pin-and-tumbler mechanical lock, which offers triple key turns for supporting different applications, to help you to control the access system for your device.

Features

- ◆ **One Lock with 3 Different Key Turns and Users**
 - R Key: 90 degree clockwise turn to operate
 - L Key: 90 degree counterclockwise turn for the other personnel to operate
 - B Key: 180 degree either clockwise or counterclockwise turns for management
- ◆ **Simply controlling access the device for different users**
- ◆ **Cost-saving by combining two locks function into one.**
- ◆ **Diverse applications:** Widely applied for a diverse application, such as cash box, vending machine ATM, cashier, tool box, key deposit box...etc, and to name a few for commercial security control.



Specification



Item no.:	C7915
Mechanism:	5 Pin Tumbler
Combination:	20,000
Inner Plug:	Brass, Satin Nickel Plated
Housing:	Brass, Satin Nickel Plated
Key Type:	3 Plastic Head Brass Keys, Nickel Plated
Key Option:	<u>MITG</u>
Position:	90 Degree
Key Pull:	1 Position
Key Turns:	Clockwise or Counterclock
Keying Spec:	Key Alike / Key Different